

Sit back. Relax. Stay warm.

Paramount

## Natural Gas Outdoor Patio Heater

Model : KLD7002SSBN  
Item # :PH-100012



### DANGER

FOR YOUR SAFETY: If you smell gas:  
1. Shut off gas to the appliance.  
2. Extinguish any open flame.  
3. If odor continues, keep away from the appliance and immediately call your gas supplier or fire department.

### DANGER

DANGER indicates an imminently hazardous situation which, if not avoided, will result in death or serious injury.

### DANGER

Failure to comply with the precautions and instructions provided with this heater can result in death, serious bodily injury and property loss or damage from hazards of fire, explosion, burn, asphyxiation, and/or carbon monoxide poisoning. Only persons who can understand and follow the instructions should use or service this heater.

### WARNING

This product can expose you to chemicals including Carbon Monoxide, Lead, Chromium (hexavalent compounds), Di(2-ethylhexyl) phthalate (DEHP) and Diisononyl phthalate (DINP), which are known to the State of California to cause cancer and birth defects or other reproductive harm. For more information, go to [www.P65Warnings.ca.gov](http://www.P65Warnings.ca.gov).

### WARNING

Do not store or use gasoline or other flammable vapors and liquids in the vicinity of this or any other appliance. An LP cylinder shall not be stored in the vicinity of this or any other appliance.

### WARNING

Improper installation, adjustment, alteration, service or maintenance can cause property damage, injury or death. Read the installation, operation and maintenance instructions thoroughly before installing or servicing this equipment.

### WARNING

FOR OUTDOOR USE ONLY!

### ATTENTION

If your patio heater model is equipped with a base weight/sand box, it is strongly recommended that you fill it with sand or fine gravel and attach it securely to the bottom of the heater. In windy conditions, store the heater in a protected area or otherwise secure it. Unsecured heaters can be blown over in moderate to high wind. Damage due to weather or acts of God is not covered under warranty.



### ATTACH YOUR RECEIPT

Keep a copy of your proof of purchase or order confirmation which will be required if you need to contact us about warranty coverage.

Serial No. \_\_\_\_\_

Purchase Date \_\_\_\_\_



### Questions, problems, missing parts?

Before returning to your retailer, our exceptional customer service is available.

Call us toll-free at (800) 561-5550 – Friday 7:30 a.m. – 4 p.m., PST, email us at [customercare@jrhome.com](mailto:customercare@jrhome.com)

## TABLE OF CONTENTS

Before You Begin	Page 2
Safety Information	Page 3
Package Contents	Page 4
Hardware Contents	Page 4
Assembly	Page 5-7
Operating Instructions	Page 8-11
Care and Maintenance	Page 12
Troubleshooting	Page 13
Warranty Information	Page 14



### BEFORE YOU BEGIN

Please read and understand this entire manual before attempting to assemble, operate or install this appliance. If you have any questions regarding the product, please call us toll-free at **(800) 561-5550 Monday – Friday, 7:30 a.m. – 4 p.m., PST**, email us at [customercare@jrhome.com](mailto:customercare@jrhome.com)

This manual contains important information about the assembly, operation and maintenance of this patio heater. General safety information is presented in the first few pages and is also located throughout this manual. Keep this manual for future reference and to educate new users of this appliance. This manual should be read in conjunction with the labeling on the appliance. Safety precautions are essential when any mechanical or propane fuelled equipment is involved. These precautions are necessary when using, storing, and servicing. Using this appliance with the respect and caution demanded will reduce the possibilities of personal injury or property damage. The following symbols shown on page 3 are used extensively throughout this manual. Always heed these precautions, as they are essential when using any mechanical or propane fueled equipment.



** DANGER**

DANGER indicates an imminently hazardous situation which, if not avoided, will cause death or serious injury.

** DANGER**

**EXPLOSION—FIRE HAZARD**

- Keep solid combustibles, such as building materials, paper, or cardboard a safe distance away from the heater as recommended by the instructions.
- Provide adequate clearances around air openings into the combustion chamber.
- Never use the heater in spaces which do or may contain volatile or airborne combustibles, or products such as gasoline, solvents, paint thinner, dust particles, or unknown chemicals.
- During operation, this appliance can be a source of ignition. Keep heater area clear and free from combustible materials, gasoline, paint thinner, cleaning solvents and other flammable vapors and liquids. Do not use heater in areas with high dust content. Minimum heater clearances from combustible materials: 3 feet (36") from top and 2 feet (24") from sides.
- Never store natural gas near high heat, open flames, pilot lights, direct sunlight, other ignition sources or where temperatures exceed 120°F (49°C).
- Natural gas vapors are heavier than air and can accumulate in low places. If you smell gas, leave the area immediately.
- Never install or remove a natural gas connection while the heater is lighted, near flame, pilot lights, or other ignition sources or while heater is hot to the touch.
- This heater is red hot during use and can ignite flammables too close to the burner. Keep flammables at least 3 feet (36") from top and 2 feet (24") from sides. Keep gasoline and other flammable liquids and vapors well away from heater.
- If heater is to be stored indoors, disconnect from the natural gas source before storage.

** DANGER**

**CARBON MONOXIDE HAZARD**

- This heater is a combustion appliance. All combustion appliances produce carbon monoxide (CO) during the combustion process. This product is designed to produce extremely minute, non-hazardous amounts of CO if used and maintained in accordance with all warnings and instructions. Do not block the air flow into or out of the heater.
- Carbon Monoxide (CO) poisoning produces flu-like symptoms, water eyes, headaches, dizziness, fatigue, and possibly death. You can't see and you can't smell it. It is an invisible killer. If these symptoms are present during operation of this product, get fresh air immediately!
- For outdoor use only.
- Never use inside house or other unventilated or enclosed areas.
- This heater consumes air (oxygen). Do not use in unventilated or enclosed areas to avoid endangering your life.

** WARNING**

WARNING indicates an imminently hazardous situation which, if not avoided, can result in death or serious injury.

** WARNING**

**BURN HAZARD**

- Never leave heater unattended when hot or in use.
- Keep out of reach of children.

** WARNING**

Certain materials or items, when stored under the heater, will be subject to radiant heat and could be seriously damaged.

** WARNING:  
FOR OUTDOOR USE ONLY**

** CARBON MONOXIDE HAZARD**

This appliance can produce carbon monoxide which has no odor. Using it in an enclosed space can kill you. Never use this appliance in an enclosed space such as a camper, tent or home.

** WARNING**

- This product is fueled by natural gas. Natural gas is invisible, odorless, and flammable. An odorant is normally added to help detect leaks and can be described as having a "rotten egg" smell. The odorant can fade over time so leaking gas is not always detectable by smell alone.
- Natural gas is heavier than air and leaking natural gas will sink to the lowest level possible. It can ignite by ignition sources including matches, lighters, sparks or open flames of any kind many feet away from the original leak. Use only natural gas set up for vapor withdrawal.
- Store and use natural gas in compliance with local ordinances and codes or with ANSI/NFPA 58. Turn off natural gas when not in use.
- Alert children and adults to the hazards of high surface temperatures. Stay away from these surfaces to avoid burning skin or igniting clothing.
- Carefully supervise young children when in the vicinity of the heater.
- Do not hang clothing or any other flammable materials from the heater, or place near the heater.
- Replace any guard or protective device removed for servicing the appliance prior to placing back in service.
- Installation and repair should be done by a qualified service person. The heater should be inspected before use and annually by a qualified service person. More frequent cleaning may be required as necessary. It is imperative that the control compartment, burners, and circulating air passageway of the appliance be kept clean.

** CAUTION**

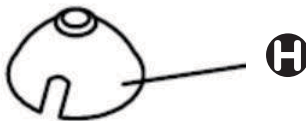
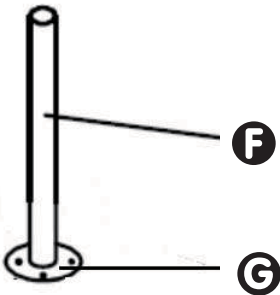
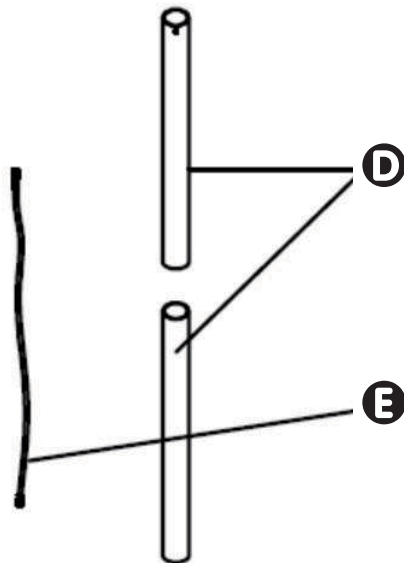
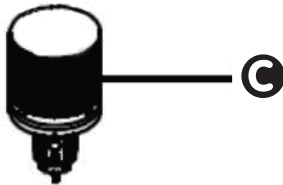
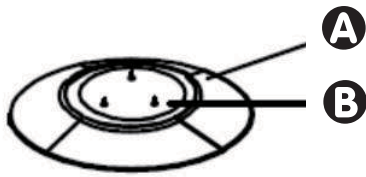
CAUTION indicates an imminently hazardous situation which, if not avoided, may result in minor or moderate personal injury, or property damage.

** CAUTION**

**SERVICE SAFETY**

- Keep all connections and fittings clean. Make sure natural gas valve outlet is clean.
- During set up, check all connections and fittings for leaks using soapy water, never use a flame to check for leaks.
- Use as a heating appliance only. Never alter in any way to use with any device.

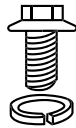
# PACKAGE CONTENTS/REPLACEMENT PARTS



PART	DESCRIPTION	QUANTITY
A	Reflector Panel	4 (packed in 2 inner cartons)
B	Reflector Center Cap	1
C	Head Assembly	1 (packed in 1 inner carton)
D	Main Post	2
E	Gas Hose	1 attached to Head Assembly
F	Lower Post	1
G	Base	1
H	Base Cover	1



## HARDWARE CONTENTS



**M6x12 Bolt  
w/ Lock Washer**  
Qty: 10  
*(4 pcs pre-assembled  
in head)*



**Wing Nut**  
Qty: 3



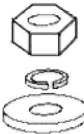
**M8 Washer**  
Qty: 9



**M6 screw**  
Qty: 12



**M6 Nut**  
Qty: 12



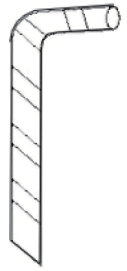
**M8 Nut/Lock  
Washer/Washer**  
Qty: 4



**M8x100  
Expandable Bolt**  
Qty: 4



**Reflector Stud**  
Qty: 3



**Anchoring Pin**  
Qty: 4



## ALSO REQUIRED (Not included)



**AAA Battery**  
Qty: 1

*Install by unscrewing igniter button*





## PREPARATION


Before beginning assembly of this appliance, make sure all parts are present. Compare all parts with package contents list and hardware contents as listed on page 4 of this manual. If any part is missing or damaged, do not attempt to assemble this product. Contact Customer Service for replacement parts.

**ESTIMATED ASSEMBLY TIME:** 60 minutes

### Tools Required for Assembly (NOT included):

- Phillips screwdriver w/medium blade
- Drill and/or large Rubber Mallet (used for fixing base to the ground)
- Adjustable wrench (2) (Note: 10mm wrench or socket should fit M6 bolt; 13mm wrench or socket should fit M8 bolt.)
- Leak test solution

NOTE: This heater has an Electronic Ignition and requires installation of 1 AAA battery. Install battery by unscrewing the RED IGNITER BUTTON.

**1** To protect your heater from strong winds, anchor the **Base**  securely to the ground. There are two methods you may use to secure the base.

#### OPTION A (for solid ground such as concrete):

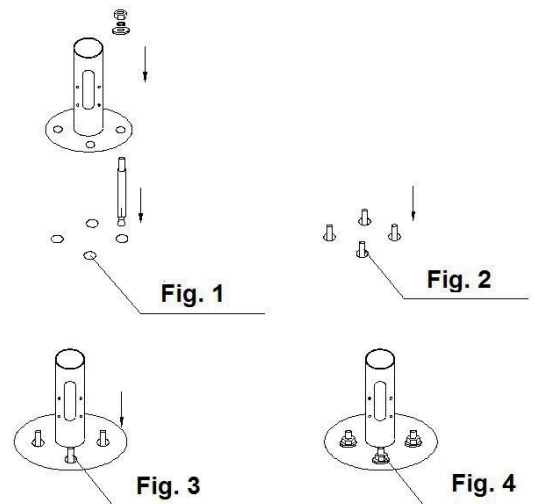
Using the holes in the **Base** as a template, drill 4 holes (1/2" or 12.5-13mm diameter) that are at least 300mm (4") deep. (Fig. 1)

Then insert the 4 **Expandable Bolts** into the holes. (Fig. 2)

Slide the **Base** down over the **Expandable Bolts**. (Fig. 3)

Secure the **Base** to the **Expandable Bolts** using 4 **M6 Nut/Lock Washer/Washers**. (Fig. 4)

**Hardware Used:**  
 4 - M8x100 Expandable Bolts  
 4 - M8 Nut/Lock Washer/Washer

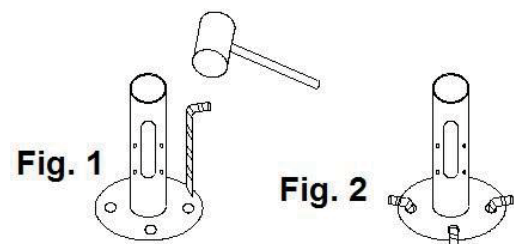



#### OPTION B (for soft ground such as soil/lawn):

Set the **Base** in the desired location. Insert **Anchoring Pin** through hole in **Base** and using a rubber mallet, tap the **Anchoring Pin** into the soil. (Fig. 1)

Repeat with the other 3 **Anchoring Pins** to secure the **Base** to the ground. (Fig. 2)

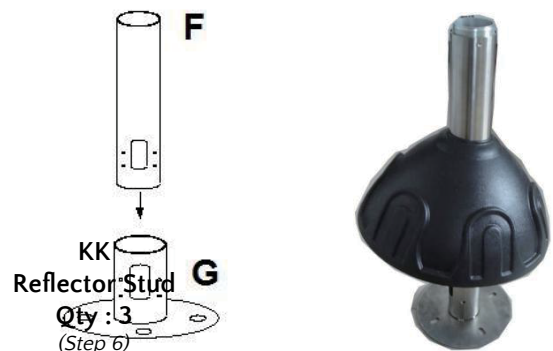
**Hardware Used:** 4 - Anchoring Pins



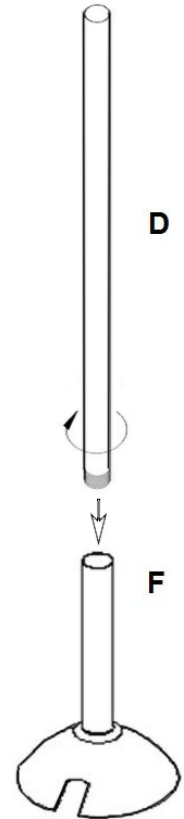
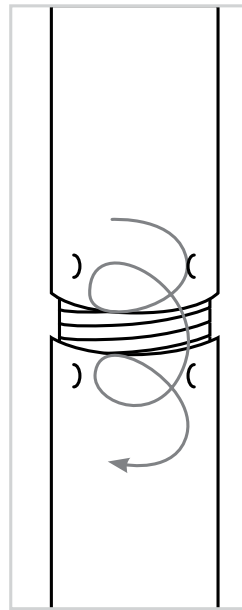
**2** After securing the **Base** by one of the options above, slide the **Lower Post**  down over the **Base**. Align the holes in the **Lower Post** with the holes in the **Base** and insert 6 **M6x12 Bolts w/ Lock Washers** into the holes, then hand-tighten.

Slide the **Base Cover**  over the **Lower Post** and **Base**.

**Hardware Used:** 6 - M6x12 Bolt w/ Lock Washer



**3** Screw the two pieces of the **Main Post ①** together. Then screw the **Main Post** onto the **Lower Post**.

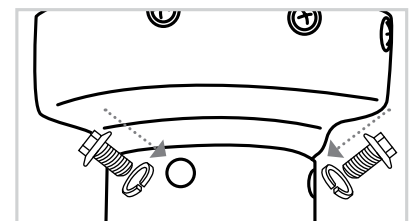
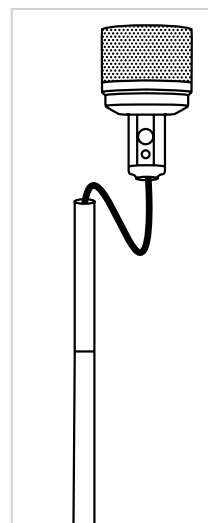


**4** **Attach Head Assembly to Main Post.**  
*Note: There is a small piece of protective foam located in the neck of the Head Assembly that MUST be removed prior to attaching Head Assembly to the Upper Post.*

Route **Gas Hose ②** down into assembled post and align 4 small holes on **Head Assembly ③** with 4 Small holes in **Main Post ①**. *[Note: Control knob should be above decal on post.]*

Insert an **M6x12 Bolt w/ Lock Washer** bolts into each of 4 holes and tighten.

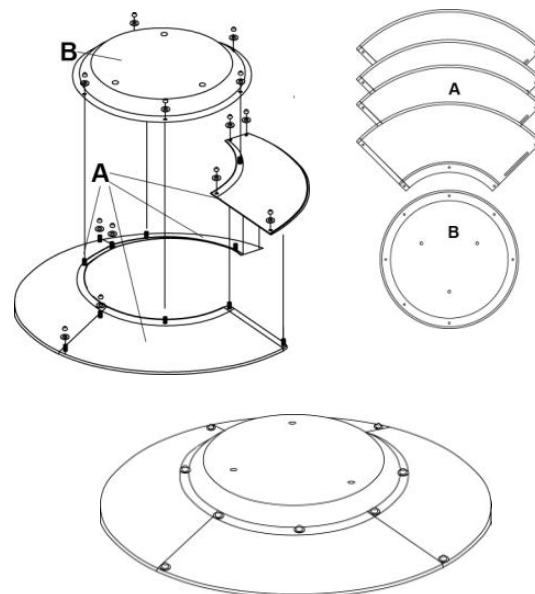
**Hardware Used:** 4 - M6x12 Bolt w/ Lock Washer



**5 Assemble Reflector.** *Note: Remove protective plastic film on reflector pieces prior to assembling.*

Assembly tip: if necessary for proper alignment of reflector sections, loosen each screw prior to further assembly and re-tighten after sections are aligned.

**Reflector Panels A** come packaged in two brown boxes with two panels in each box. Hardware for assembly is already affixed to each panel. Place two panels side by side and remove the two cap nuts and washers that are affixed to one panel. Insert the affixed bolts into the open holes on the adjacent panel. Place the washer over the bolt and screw on cap nut. Repeat these steps until all four panels are assembled. Then locate the **Reflector Center Cap B**. You will need to remove the cap nuts and washers located at the top of each Reflector Panel to allow assembly of the **Center Cap** to each panel. Align the holes in the **Center Cap** with the bolts on each **Panel** and affix washer and cap nut to complete assembly.

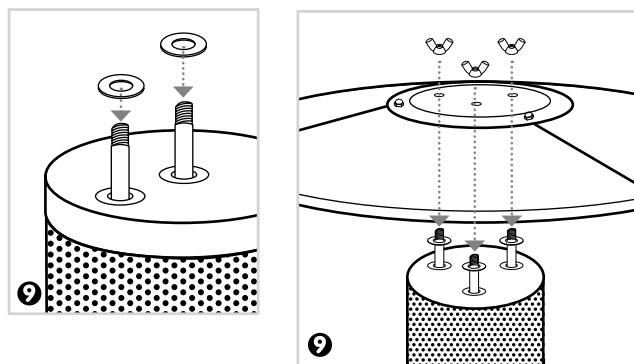


**6 CAUTION: be careful when using a ladder or step-stool.** Slide the assembled Reflector onto the reflector studs in the top of the Head Assembly. Place an **M8 Washer** on each of the **Reflector Studs**. Secure with 3 **Wing Nuts** and hand-tighten.



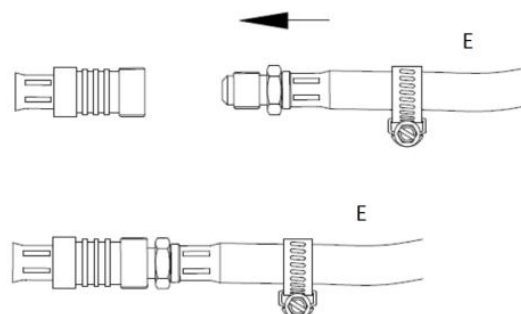
**Hardware Used:**

- 3 - M8 Washer
- 3 - Wing Nut



**7** Connect the hose and regulator (from natural gas company) to the natural gas outlet. The natural gas is obtained from your natural gas supply company. Use a standard 7" WC natural gas only.

**NOTE:** the fitting provided with the heater is size 3/8" and should be connected to a compatible 3/8" fitting from the natural gas source.





A minimum supply pressure of 7" W.C. is required for the purpose of input adjustment of natural gas. Storage of an appliance indoors is permissible only if the source is disconnected and removed from the appliance. A gas source must be stored outdoors in a well-ventilated area out of the reach of children. A disconnected gas source must have dust caps tightly installed and must not be stored in a building, garage, or any other enclosed area. The minimum permissible gas supply pressure of 7" W.C. is required for purpose of hose adjustment. The minimum hourly of 15,000 BTU is required input rating for a heater for automatic operation rating less than full input rating.

The pressure regulator and hose assembly used with the appliance must be in accordance with your gas source supplier.

The installation must conform with local codes, or in the absence of local codes, with national fuel gas code, ANSI Z223.1/NFPA54, natural gas and propane Installation Code, CSA B149.1, or propane storage and handling code, B149.2

A natural gas source may be hazardous and should be checked by your local gas supplier. Never use a natural gas source with a damaged valve connection. The natural gas source must be constructed and marked in accordance with the specifications for gas source supplier of the U.S. Department of Transportation (DOT) or the standard for cylinders, spheres and tubes for transportation of dangerous goods and commission, CAN/CSA-B339.

- Do not store a natural gas source or an LP-gas cylinder under or near this appliance.
- Place the dust cap on the gas source valve outlet whenever the gas source is not in use. Only install an approved type of dust cap on the source valve. Other types of caps or plugs may result in leakage of natural gas.

- The natural gas source must have a connection device compatible with the connection for the appliance.
- Never attempt to connect a propane cylinder to the heater.

## LEAK TEST

1. Make 2-3 oz. of leak test solution (one part liquid dish washing detergent and three parts water).
2. Apply several drops of solution where hose attaches to regulator.
3. Apply several drops of solution where regulator connects to the natural gas source pipe.
4. Make sure all patio heater valves are OFF.
5. Turn natural gas valve ON.

### IF BUBBLES APPEAR AT ANY CONNECTION, THERE IS A LEAK.

1. Turn natural gas valve OFF.
2. If leak is detected at hose/regulator connection, tighten connection and perform another leak test. If bubbles continue to appear, call our customer service desk at **(866) 985-7877**, 9 a.m. – 9 p.m., EST.
3. If leak is detected at regulator/natural gas valve connection, disconnect, reconnect, and perform another leak test. If you continue to see bubbles after several attempts, natural gas source valve is defective. Contact your natural gas installer.

### IF NO BUBBLES APPEAR AT ANY CONNECTION, THE CONNECTIONS ARE SECURE.

**Note:** Whenever gas connections are loosened or removed, you must perform a complete leak test.

 **WARNING**

- Perform all leak tests outdoors.
- Extinguish all open flames.
- NEVER leak test when smoking
- Do not use heater until all connections have been leak tested and show no signs of leakage.

## BEFORE OPENING GAS SUPPLY:

1. Your heater was designed and approved for **OUTDOOR use only**. Do NOT use it inside a building, garage, or any other enclosed area.
2. Make sure surrounding areas are free of combustible materials, gasoline, propane, and other flammable vapors or liquids.
3. Ensure that there is no obstruction to air ventilation. Be sure all gas connections are tight and there are no leaks.
4. Be sure the natural gas source valve cover is clear of debris. Be sure any component removed during assembly or servicing is replaced and fastened prior to starting.

## BEFORE LIGHTING:

1. Heater should be thoroughly inspected before each use, and by a qualified service person at least annually. If re-lighting a hot heater, always wait at least 5 minutes.
2. Inspect the hose assembly for evidence of excessive abrasion, cuts, or wear. Suspected areas should be leak tested. If the hose leaks, it must be replaced prior to operation. Only use the replacement hose assembly specified by the manufacturer.

 **WARNING:**  
**FOR OUTDOOR USE ONLY** **CARBON MONOXIDE HAZARD**

This appliance can produce carbon monoxide which has no odor. Using it in an enclosed space can kill you. Never use this appliance in an enclosed space such as a camper, tent or home.

**Caution:** Do not attempt to operate this appliance until you have read and understand all Safety Information in this manual and all assembly is complete and leak tests have been performed.



## OPERATION CHECKLIST:

For a safe and pleasant heating experience, perform this check before each use:

### BEFORE OPERATING:

- I am familiar with entire owner's manual and understand all precautions noted.
- All components are properly assembled, intact and operable.
- No alterations have been made.
- All gas connections are secure and do not leak.
- Wind velocity is below 10 mph.
- Heater is for use outdoors (outside any enclosure).
- There is adequate fresh air ventilation.
- Heater is away from gasoline or other flammable liquids or vapors.
- Heater is away from windows, air intake openings, sprinklers and other water sources.
- Heater is at least 36" on top and at least 24" on sides from combustible materials.
- Heater is on a hard and level surface.
- There are no signs of spider or insect nests in heater orifices.
- All burner passages are clear.
- All air circulation passages are clear.
- Clothing or other protective material should not be hung from the heater, or placed on or near the heater.
- Any guard or other protective device removed for servicing the heater must be replaced prior to operating the heater.
- Installation and repair should be done by a qualified service person. The heater should be inspected before each use and at least annually by a qualified service person.

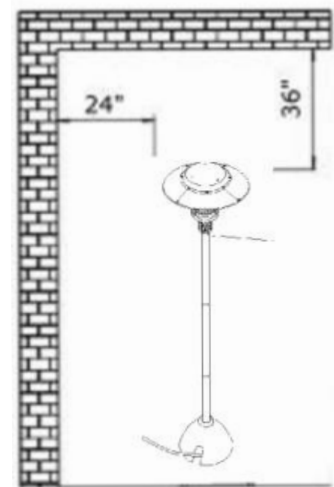
### OPERATION INFORMATION AND SAFETY:

- Unit will operate at reduced efficiency below 40° F.
- Children and adults should be alerted to the hazards of high surface temperatures and should stay away to avoid burns or clothing ignition.
- Young children should be carefully supervised when they are in the area of the heater.
- More frequent cleaning may be required as necessary. It is imperative that control compartment burner and circulating air passageways of the heater be kept clean and free of debris and/or spider or insect nests.



## WARNING

FOR YOUR SAFETY  
Heater will be hot after use. Handle with extreme care.





## LIGHTING:

**NOTE:** For initial start or after detaching and re-attaching natural gas source, hold the control knob in for 2 minutes to purge air from all gas lines before proceeding.

**NOTE:** This heater has an Electronic Ignition and will require installation of 1 –AAA battery. The battery should be installed by unscrewing the RED IGNITER BUTTON.

1. Turn the control knob to the “OFF” position.
2. Fully open the gas source valve.
3. Turn the control knob halfway between the small flame and large flame symbols.
4. Depress and turn the control knob and simultaneously push the RED igniter button to ignite the main burner. Repeat until the burner ignites. Keep the control knob fully depressed for 30 seconds after the burner ignites, then release.
5. To increase the flame, turn the control knob clockwise towards the large flame symbol, or decrease the flame by rotating the control knob counter-clockwise towards the small flame symbol.
6. To turn the appliance OFF, depress the control knob and turn clockwise to the OFF position.
7. Wait at least 5 minutes before attempting to re-light the heater.
8. Turn the natural gas source valve to OFF or closed.

If you experience any ignition problems, please consult the “Troubleshooting” section of this manual.

*Caution: Avoid inhaling fumes emitted during the heater’s first use. Smoke and odor from the burning of oils used in the manufacturing will appear. Both smoke and odor will dissipate after approximately 30 minutes. The heater should NOT produce thick black smoke.*

## SHUT DOWN:

**NOTE:** For your safety, the control knob cannot be turned OFF without first depressing the control knob and then rotating to OFF.

1. Turn control knob clockwise to OFF while depressing the knob.  
(Normally, burner will make a slight popping noise when extinguished).
2. Turn natural gas supply valve to OFF and disconnect regulator when heater is not in use.

**NOTE:** After use, some discoloration of the emitter screen is normal.



## WARNING

FOR YOUR SAFETY

Be careful when attempting to manually ignite this heater. Holding in the control knob for more than 10 seconds before igniting the gas will cause a ball of flame upon ignition.

## WHEN HEATER IS ON:

Emitter screen will become bright red due to intense heat. The color is more visible at night. Burner will display tongues of blue and yellow flames. These flames should not produce thick black smoke, indicating an obstruction of airflow through the burners. The flame should be blue with straight yellow tops. If excessive flame is detected, turn off heater and consult the “Troubleshooting” section of this manual.

## RE-LIGHTING:

1. Depress and turn control knob to OFF.
2. Wait at least 5 minutes to allow gas to dissipate before re-lighting.
3. Repeat the “Lighting” steps listed above.

## AFTER OPERATION:

1. Gas control knob is in OFF position.
2. Gas supply valve is OFF.
3. Disconnect gas line.
4. Heater is stored upright in a secure location.

To enjoy years of outstanding performance from your heater, make sure you perform the following maintenance activities on a regular basis:

## KEEP EXTERIOR SURFACES CLEAN.

1. Use soapy water for cleaning. Never use flammable or corrosive cleaning agents.
2. While cleaning your unit, be sure to keep the area around the burner and control compartment dry at all times. Do not submerge the control valve assembly. If the gas control is submerged in water, do NOT use it. It must be replaced.
3. Air flow must be unobstructed. Keep controls, burner, and circulating air passageways clean. Signs of possible blockage include:
  - Gas odor with extreme yellow tipping of flame.
  - Heater does NOT reach the desired temperature.
  - Heater glow is excessively uneven.
  - Heater makes popping noise.
  - Spiders and insects can nest in burner or orifices. This dangerous condition can damage heater and render it unsafe for use. Clean burner holes by using a heavy-duty pipe cleaner. Compressed air may help clear away smaller particles.
  - Carbon deposits may create a fire hazard. Clean dome and burner screen with warm soapy water if any carbon deposits develop.

**Note:** *In a salt-air environment (such as near an ocean), corrosion occurs more quickly than normal. Frequently check for corroded areas and repair them promptly.*



## TIP FOR STAINLESS STEEL MODELS:

*Use high-quality automobile wax to help maintain the appearance of your heater. Apply to exterior surfaces from the post down. DO NOT apply to emitter screen or reflector.*



## WARNING

FOR YOUR SAFETY

- Do NOT touch or move heater for at least 45 minutes after use.
- Reflector is hot to the touch.
- Allow reflector to cool before touching.

## STORAGE:

### Between uses:

- Turn control knob OFF.
- Disconnect natural gas source.
- Store heater upright in an area sheltered from direct contact with inclement weather (such as rain, sleet, hail, snow, dust and debris).
- If desired, cover heater to protect exterior surfaces and to help prevent build-up in air passages.

**Note:** *Wait until heater is cool before covering.*

## SERVICE:

Only a qualified service person should repair gas passages and associated components.

**Caution:** *Always allow heater to cool before attempting service.*

PROBLEM	CAUSE/SYMPTOM	CORRECTIVE ACTION
Main burner will not light	Gas valve may be off	Turn gas valve ON
	AAA igniter batter is dead	Replace battery by unscrewing igniter button
	Orifice blocked	Clean or replace orifice
	Air in supply system	Purge air from lines: open gas lines and depress control knob for 2-3 minutes. Allow gas to dissipate before attempting to light.
	Loose connection	Check all fittings
	Igniter fails	Use stick lighter to manually light
	Gas pressure low with valve open full	Replace gas source supply regulator
	New cylinder or 1st ignition	Purge air from lines
	Cylinder valve on, no gas flow	Replace hose/regulator assembly
Low burner flame	Gas pressure low with valve open full	Replace gas source supply regulator
	Gas flow is obstructed at gas line/valve	Have a gas technician examine lines/regulator
	Gas hose is kinked	Check and straighten or replace
Burner unit issues	Carbon on reflector and emitter screen	Clean components as needed
	Thick black smoke	Blockage in burner assembly—thoroughly clean burner



## Questions, problems, missing parts?

Before returning to your retailer, our exceptional customer service is available.

Call us toll-free at **(800) 561-5550 Monday – Friday 7:30 a.m. – 4 p.m., PST**, email us at [customercare@jrhome.com](mailto:customercare@jrhome.com).

# IMPORTANT

For questions, concerns or problems with our product please email our customer service department:

**customercare@jrhome.com**

DATED PROOF OF PURCHASE REQUIRED FOR WARRANTY SERVICE

Si vous éprouvez des difficultés ou si vous avez des questions ou des préoccupations, prière de faire parvenir un courriel à notre service à la clientèle

**customercare@jrhome.com**

UNE PREUVE D'ACHAT DATÉE EST REQUISE POUR SE PRÉVALOIR DE LA GARANTIE.

## WARRANTY

This product is inspected, tested and carefully packaged to minimize the chance of damage during shipment. If a part (excluding light bulbs, glass and fuses\*) within one year from the date of purchase proves to be defective in material or fabrication under normal use, the part will be repaired or replaced. The Company's obligation under the warranty is to replace or repair defective parts at our discretion. Any expenses or damage resulting from the installation, removal or transportation of the product will be the responsibility of the owner and are not covered by this warranty. The owner assumes all other risks arising from the use or misuse of the product. The warranty will be void if the product damage or failure is deemed by the Company to be caused by accident, alteration, misuse, abuse, incorrect installation or removal, or connection to an incorrect power source by the owner. The Company neither assumes, nor authorizes any person or entity to assume for it any obligation or liability associated with its products. Light bulbs and fuses are not covered under this warranty. If you have any questions regarding the warranty or service, please contact us at **customercare@jrhome.com**.

Customer Service :

JR Home Products

Unit 306 - 19100 Airport Way, Pitt Meadows, BC V3Y 0E2

Toll Free : 1-800-561-5550

E-mail : **customercare@jrhome.com**

## AVERTISSEMENT

Ce produit a été soigneusement inspecté, testé et emballé afin de minimiser les risques de dommages durant le transport. Si l'une des pièces (à l'exception des verres, des ampoules électriques et des fusibles\*) s'avère défectueuse au niveau de sa fabrication ou de ses matériaux dans l'année qui suit la date de l'achat suite à une utilisation normale, la pièce sera réparée ou remplacée. La compagnie est tenue de réparer ou remplacer les pièces défectueuses à sa discrétion, en vertu de la garantie. Tous frais ou dommage résultant de l'installation, du démantèlement ou du transport du produit demeurent la responsabilité du client et n'est pas couvert par cette garantie. Le client assume tout autre risque résultant de l'utilisation correcte ou fautive du produit. La garantie devient nulle si la compagnie détermine que le dommage ou le mauvais fonctionnement est causé par un accident, une modification, une mauvaise utilisation, un abus, une mauvaise installation ou un mauvais démantèlement ou un branchement à une source électrique inadéquate de la part du client. La compagnie n'est pas responsable et n'autorise quiconque, personne ou entité légale, à accepter de responsabilité ou obligation en son nom, en rapport avec ses produits. \* Les ampoules électriques et les fusibles ne sont pas couverts par cette garantie. Pour toute question au sujet de la garantie ou du service, contacter le service à la clientèle à : **customercare@jrhome.com**.

Service à la clientèle:

JR Home Products

Unit 306 - 19100 Airport Way, Pitt Meadows BC V3Y 0E2 Numéro

sans frais: 1-800-561-5550

Courriel: **customercare@jrhome.com**

**You MUST register your product within 30 days of purchase to receive warranty service.**

**Registration can be completed online at [www.jrhome.com](http://www.jrhome.com) or by mailing this form.**

**Vous DEVEZ enregistrer votre produit dans les 30 jours suivant l'achat pour bénéficier du service de garantie.**

**L'enregistrement sera complet une fois que vous aurez posté ce formulaire ou que vous serez inscrit en ligne.**

## Warranty Registration Information Form / Formulaire d'enregistrement de la garantie

Name / Nom : \_\_\_\_\_

Street / Adresse : \_\_\_\_\_

City / Ville : \_\_\_\_\_

Province / Province : \_\_\_\_\_

Postal Code / Code postal : \_\_\_\_\_

Daytime Phone # / No téléphone jour : \_\_\_\_\_

Evening Phone # / No téléphone soir : \_\_\_\_\_

E-Mail Address / Courriel : \_\_\_\_\_

Product/Produit : \_\_\_\_\_

Place of Purchase / Lieu de l'achat : \_\_\_\_\_

Date of Purchase / Date de l'achat : \_\_\_\_\_

Model # / No de modèle : \_\_\_\_\_

Serial # / Numéro de série : \_\_\_\_\_

You MUST register your product to receive warranty service.

For warranty service, contact J&R Home Products at the address, phone numbers listed below within 30 days of purchase. Be sure to have your sales receipt and original date of purchase. All warranty service will be coordinated by J&R Home Products service center.

Vous DEVEZ enregistrer votre produit pour vous prévaloir de la garantie.

Afin de faire valoir la garantie, communiquez avec J&R Home Products à l'adresse et aux numéros indiqués ci-dessous dans les 30 jours suivant la date d'achat. Ayez en main votre reçu et la date d'achat. Toutes les demandes liées aux garanties seront traitées par le centre de service de J&R Home Products.